



EFP D - 4P Series

- Designed with high solid particle permeability for discharging drainage water requiring high flow/pressure in residential and commercial buildings (hotels, hospitals, dorms etc.) and industrial facilities.

Pump Specifications

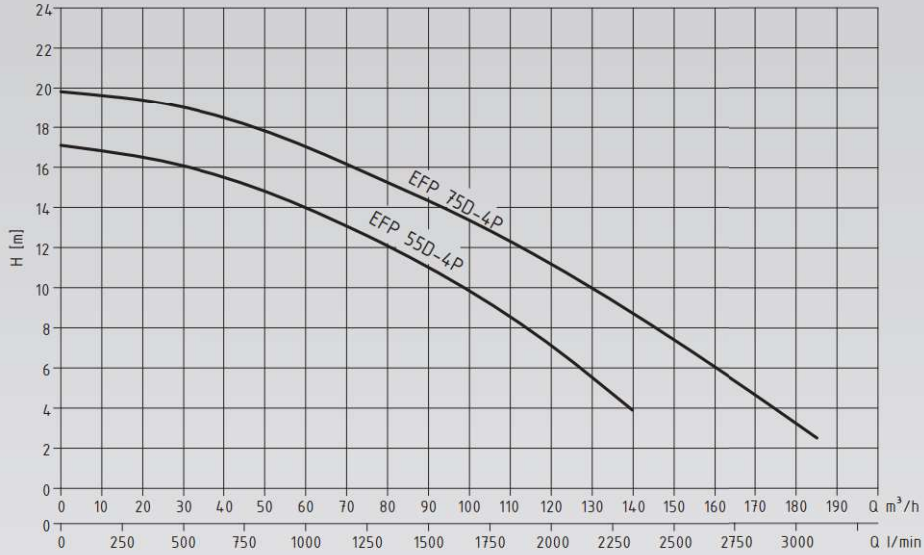
Pump Casing	: GG20 Cast Iron
Impeller	: GG20 Cast Iron
Pump Shaft	: AISI 304 Stainless Steel
Mechanical Seal	: Carbon/Ceramic/EPDM

Technical Specifications

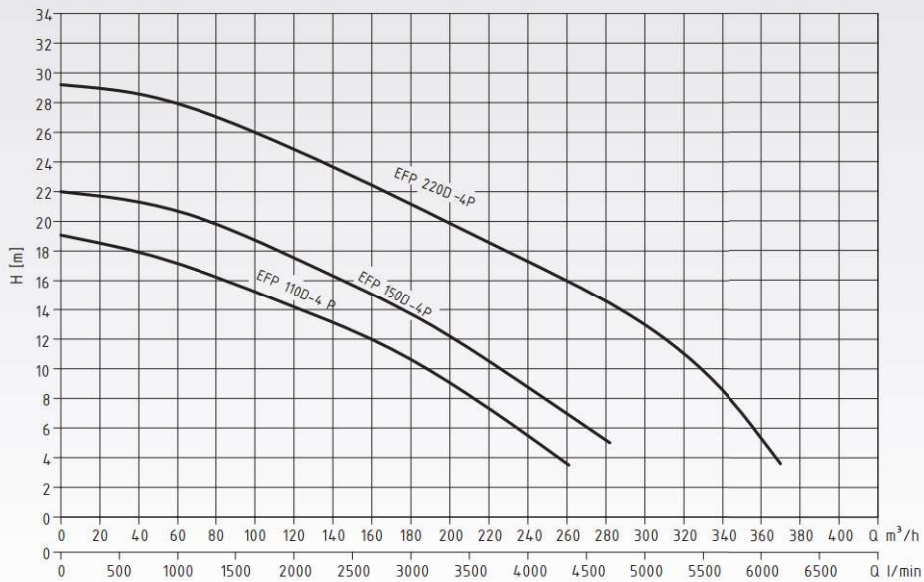
Maximum Flow Rate	: 360 m ³ /h
Maximum Pressure	: 29 mwc
Maximum Solid Particle Permeability	: 35 - 50 mm
Connection Diameter	: DN100 - DN400
Pressure Class	: PN10
Fluid Temperature	: 0 - 40 °C
Immersion Depth	: 20 m
Speed	: 1450 rpm
Mains Connection	: 3 ~ 380 V - 50 Hz
Motor Power	: 5.5 - 22 kW
Protection Class	: IP68
Insulation Class	: F

- Should be used with an appropriate protection control panel and a compatible ball-type check valve.
- Thermal protection for the motor against overloading.
- 10 m H07 RN-F type power cable included.

Note: Original ETNA protection - pump controller panels should be used with drainage pumps with three-phase (380V-50Hz) electric supply. Damage that may occur when original three-phase ETNA protection - pump controller panels are not used is not covered by warranty.

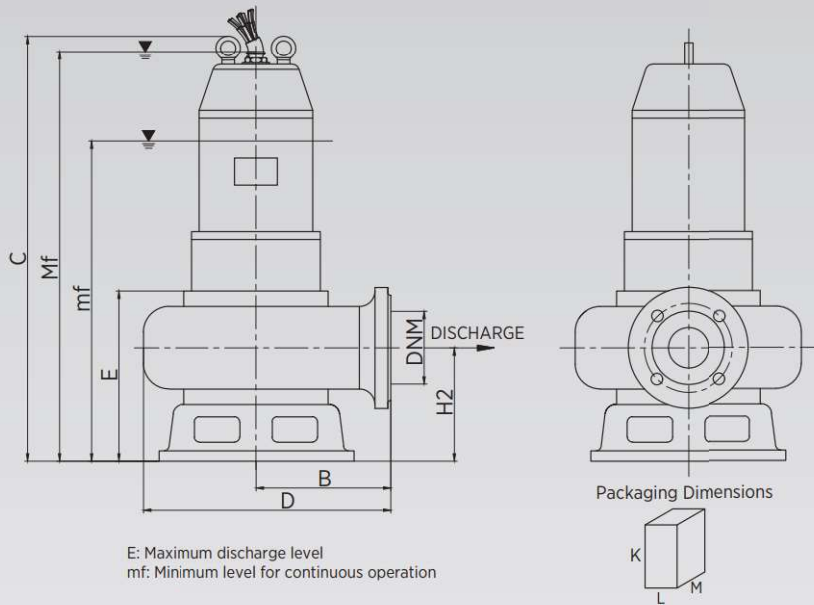


MODEL	L/min	0	333	667	1000	1333	1667	2000	2333	2667	3000
	m³/h	0	20	40	60	80	100	120	140	160	180
EFP 55D-4P	Hm (mwc)	17	16.5	15.5	14	12	10	7	4	-	-
EFP 75D-4P		20	19.5	18.5	17	15	13	11	8.5	6	3



MODEL	L/min	0	667	1333	2000	2667	3333	4000	4667	5333	6000
	m³/h	0	40	80	120	160	200	240	280	320	360
EFP 110D-4P	Hm (mwc)	19	18	16	14	12	9	5.5	-	-	-
EFP 150D-4P		22	21.5	20	17.5	15	12	8.5	5	-	-
EFP 220D-4P		29	28.5	27	25	22	20	17	14.5	11	7

DIMENSIONS



MODEL	Dimensions (mm)												Kg
	Speed	B	C	Mf	D	Y	H2	mf	DNM	K	L	M	
EFP 30DP - 2P	2900	160	575	455	280	225	123	365	65	695	340	315	35
EFP 40DP - 2P	2900	185	590	470	315	230	127	380	65	710	360	350	38
EFP 75DP - 2P	2900	195	660	540	335	240	137	450	100	780	380	370	62
EFP 110DP - 2P	2900	275	909	790	465	295	194	700	100	1030	480	500	200
EFP 150DP - 2P	2900	315	920	800	525	310	207	710	150	1040	520	560	212

MODEL	Dimensions (mm)												Kg
	Speed	B	C	Mf	D	Y	H2	mf	DNM	K	L	M	
EFP 30D - 2P	2900	170	660	540	290	250	150	450	80	780	340	325	46
EFP 40D - 2P	2900	210	690	570	340	250	150	480	80	810	360	375	57
EFP 55D - 2P	2900	200	780	660	350	275	175	570	80	900	400	385	72
EFP 75D - 2P	2900	200	810	690	350	275	175	600	100	930	400	385	98
EFP 110D - 2P	2900	255	850	730	375	260	160	640	100	970	340	410	125
EFP 150D - 2P	2900	255	887	770	375	260	160	680	100	1010	340	410	136
EFP 185D - 2P	2900	335	1238	1120	567	325	223	1030	150	1060	565	705	250

MODEL	Dimensions (mm)												Kg
	Speed	B	C	Mf	D	Y	H2	mf	DNM	K	L	M	
EFP 55D - 4P	1450	227	800	680	407	280	180	590	100	920	460	445	109
EFP 75D - 4P	1450	220	860	740	400	280	180	650	100	980	460	435	114
EFP 110D - 4P	1450	525	939	820	525	305	206	730	150	1060	520	560	206
EFP 150D - 4P	1450	309	979	860	525	305	206	770	150	1100	535	560	229
EFP 220D - 4P	1450	347	1264	1145	567	335	233	1055	200	1385	540	605	325